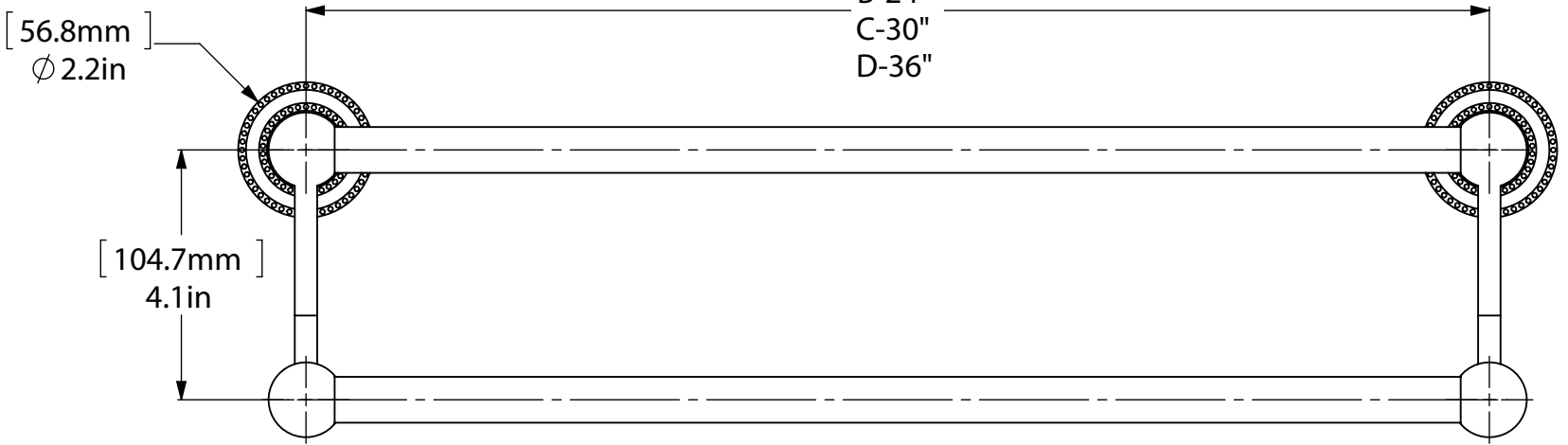
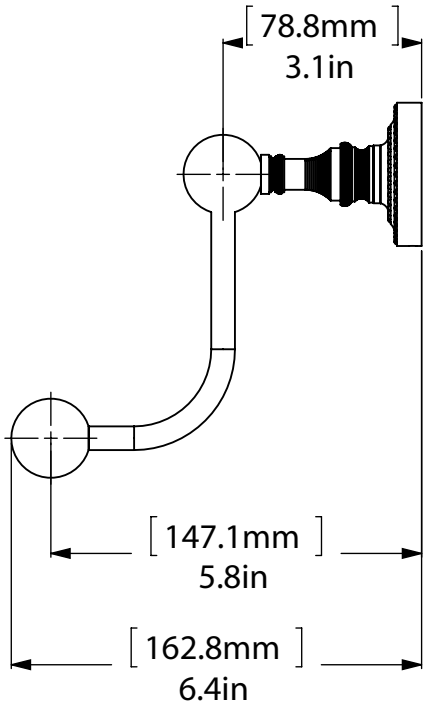


A	
TYPE	LENGTH
A	18"
B	24"
C	30"
D	36"

ITEM NO.	P/N	DESCRIPTION	QTY.
1	NKSL-58	Support	2
2	NKSL-1.25	Neck	2
3	BL34ST-1.25	Lock	2
4	BPDT	Base	2
5	TU34	Tube	2
6	BL342T-1.25	Connector	2
7	HKTT	Connector Tube	2



CONFIDENTIALITY/LIMITED LIABILITY STATEMENT
 This document (and any files attached to it) is confidential and intended only for the person or entity to which it is delivered. If you are not the intended recipient, then you have received this document by mistake and any use, dissemination, forwarding, printing or copying of this document and its file attachments is prohibited. Please notify ALLIED BRASS INC. immediately either by telephone or by email, delete the misdirected document from your system and destroy any copies you have made of it. We do not accept any liability for any loss or damage which may arise from your receipt of this document.

UNLESS OTHERWISE STATED				INITIALS	DATE	ITEM	QTY	DRG/PART NO	CLIENT:						
DO NOT SCALE	X.XXX	+/-0.025		DESIGNED	IJM	4-13-13	MATERIAL	BRASS	WEIGHT		FINISH	TBD			
DRAWING	X.XX	+/-0.1		DRAWN	IJM	4-13-13	HEAT TREAT	NA		QUANTITY	1				
CHAMFER ALL	X.X	+/-0.25		CHECKED	RANDRIS	4-13-13	CUSTOMER		CUSTOMER No		---				
EDGES 0.5X45°	X	+/-0.75		PROJ.ENG			DESCRIPTION:				DRAWING No.	REV			
DRAWING ISO				SAFETY										DT-72	0
				APPROVED	RANDRIS	4-13-13								SCALE	1:3
				FILENAME	DT-41										

